



LOAD
LIGHT
LIVE

3100 Step Top wood stove evokes classic ambiance and delivers precision performance

3100 Step Top is ideal for heating mid-size homes or providing supplemental heat in larger homes.

3100 STEP TOP WOOD STOVE

Load. Light. Live. It's more than a catchphrase.

It's Quadra-Fire's performance promise. Thanks to our exclusive Automatic Combustion Control (ACC) technology, the 3100 Step Top wood stove allows you to easily start a fire, set the heat level and then walk away without any worries.

Even better. Maintenance and cleaning is a snap. An advanced Ash Removal System reduces the burdensome process of removing ash to a simple task. The 3100 Step Top gives you all the charm you want from a wood stove without all the fuss.

QUADRA-FIRE[®]
NOTHING BURNS LIKE A QUAD



Ash drawer



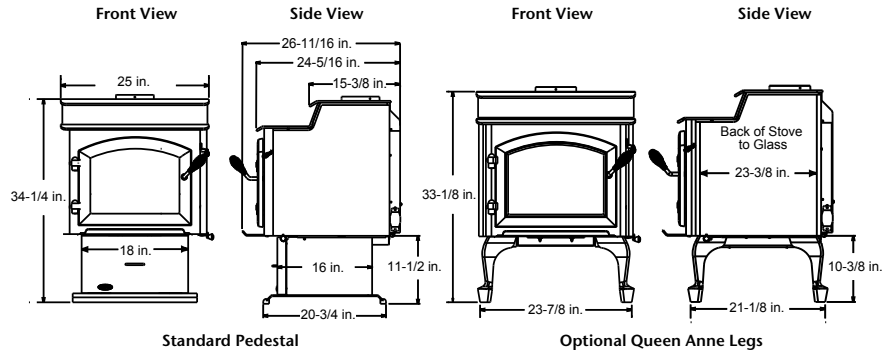
Ash removal handle



3100 STEP TOP WOOD STOVE



DIMENSIONS

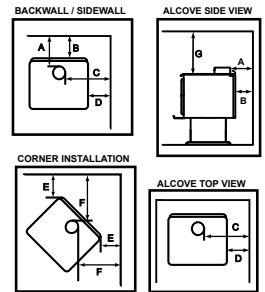


Shown with satin nickel trim on pedestal base

CLEARANCES[†]

	Full vertical or horizontal*		90° elbow**	
	Single Wall	Double Wall	Single Wall	Double Wall
A	12"	10"	10"	10"
B	8.5"	6"	6"	6"
C	22"	20.5"	20.5"	20.5"
D	12.5"	11"	11"	11"
E	5.5"	4"	5.5"	4"
F	14.5"	13"	14.5"	13"
G	48"	48"	48"	48"

*With minimum 2 ft. vertical off stove top
**Off top of stove through backwall



STANDARD FEATURES

- 11,800 – 32,000 BTU/Hour EPA test fuel[‡]
- Up to 52,000 Btu/Hour cord wood[‡]
- Up to 79.5% thermal efficiency[‡]
- 1.1 grams/hour particulate emissions
- Holds up to 18" wood, 16" ideal
- Precision air controls with labels for easy operation
- Automatic Combustion Control for easy lighting
- Patented four-point Quadra-Fire combustion system
- Durable welded steel construction
- Firebrick lined firebox
- High temperature classic black finish with gold accents 6" cast iron flue collar
- Arched cast iron door
- Convective heat shields

OPTIONS

- Arched cast iron door in classic black, gold trim or satin nickel trim
- Pedestal base
- Queen Anne legs in black, gold, or satin nickel (ash removal system included)
- Door upgrade kit in satin nickel (includes spring handles and hinge pins)
- Convection blower with adjustable speed and temperature switch
- Outside air kit

Lighting the fire is easy!

Start with some paper or firestarter. Add some kindling, wood shavings, or twigs, then put some larger pieces of dry wood on top. Now light the paper with a match, shut the door and set the air controls. The stove will do the rest. Load, light and live.

Advanced Combustion Technology (ACT)

Rated by the EPA as the cleanest burning non-catalytic wood stoves for 19 years in a row, the Quadra-Fire 3100 Step Top continues the tradition with phenomenal emission rating of only 1.1 grams per hour! It uses Quadra-Fire's patented four-point combustion system, which achieves its secondary burn process (burns the smoke) in four distinct zones of the firebox. This results in cleaner air, less chimney maintenance and fewer trips to the wood pile.

Ash Removal System

There is a small handle on the left side of the stove, below the firebox. Squeeze the trigger to unlock, and swing down and to the back. Now simply push most of the ash down the hole in the firebox floor. Pull the handle forward and up to close the clean-out hatch, then empty the drawer into a metal container until cool. It's that easy!

Unmatched Performance

The 3100 Step Top features an easy-to-load, 2 cubic foot firebox for overnight burns of up to 8 hours to efficiently heat homes 1,300 to 2,200 square feet, depending on your climate region. Our front-to-back design is safer for loading wood and gives you a more controllable fire.

Cover: 3100 Step Top shown with standard black door on optional Queen Anne legs

QUADRA-FIRE
NOTHING BURNS LIKE A QUAD

1445 North Highway, Colville, WA 99114
www.quadrafire.com • 800-926-4356

QDF-1031U-1006

Quadra-Fire offers a Limited Lifetime Warranty on our wood heating appliances to the original purchaser for the lifetime of the appliance, to be free from defects in material and workmanship. For full warranty details go to www.quadrafire.com.



[†]Refer to the Owner/Installation Manual for complete clearance requirements and specifications.

[‡]Heating capacity and efficiency may differ due to climate, building construction and condition, amount and quality of insulation, location of the unit, type of fuel used and air movement in the home. Btu output will vary, depending on the type of fuel used. Appliance requires standard maintenance in accordance with the owner's manual.

The images and descriptions in this brochure are provided to assist you in product selection only. Quadra-Fire is a registered trademark of Hearth & Home Technologies. Product specifications and pricing subject to change without notice.

Available From: